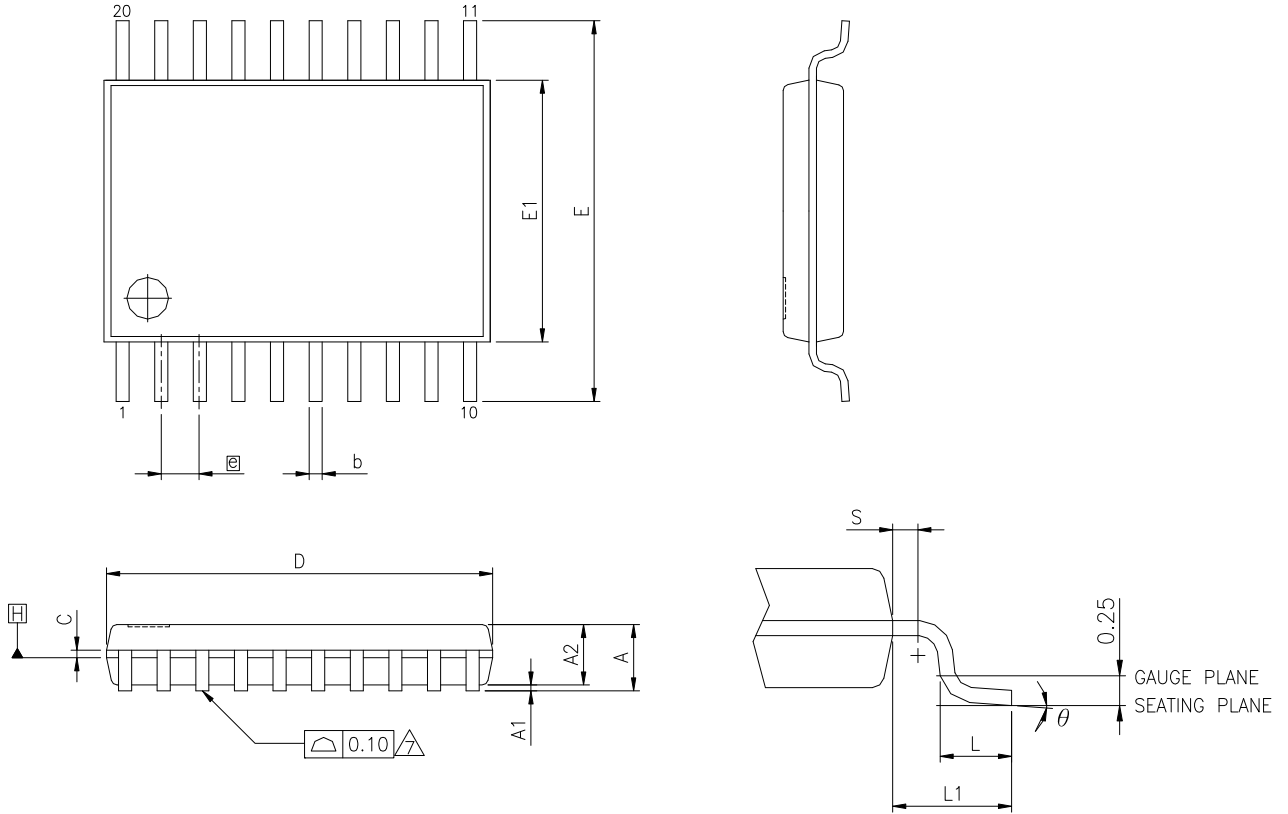




20L TSSOP (173mil) Package Outline :



Symbol	Dimension in mm			Dimension in inch		
	Min	Nom	Max	Min	Nom	Max
A	—	—	1.20	—	—	0.047
A1	0.05	—	0.15	0.002	—	0.006
A2	0.80	0.90	1.05	0.032	0.035	0.041
b	0.19	—	0.30	0.007	—	0.012
c	0.09	—	0.20	0.004	—	0.008
D	6.40	6.50	6.60	0.252	0.256	0.260
E	6.20	—	6.60	0.244	—	0.260
E1	4.30	4.40	4.50	0.169	0.173	0.177
e	—	0.65	—	—	0.026	—
L	0.45	0.60	0.75	0.018	0.024	0.030
L1	—	1.00	—	—	0.039	—
s	0.20	—	—	0.008	—	—
θ	0°	—	8°	0°	—	8°

Note :

1. Dimension D & E1 do not include mold protrusion.
2. Dimension b does not include dambar protrusion.